

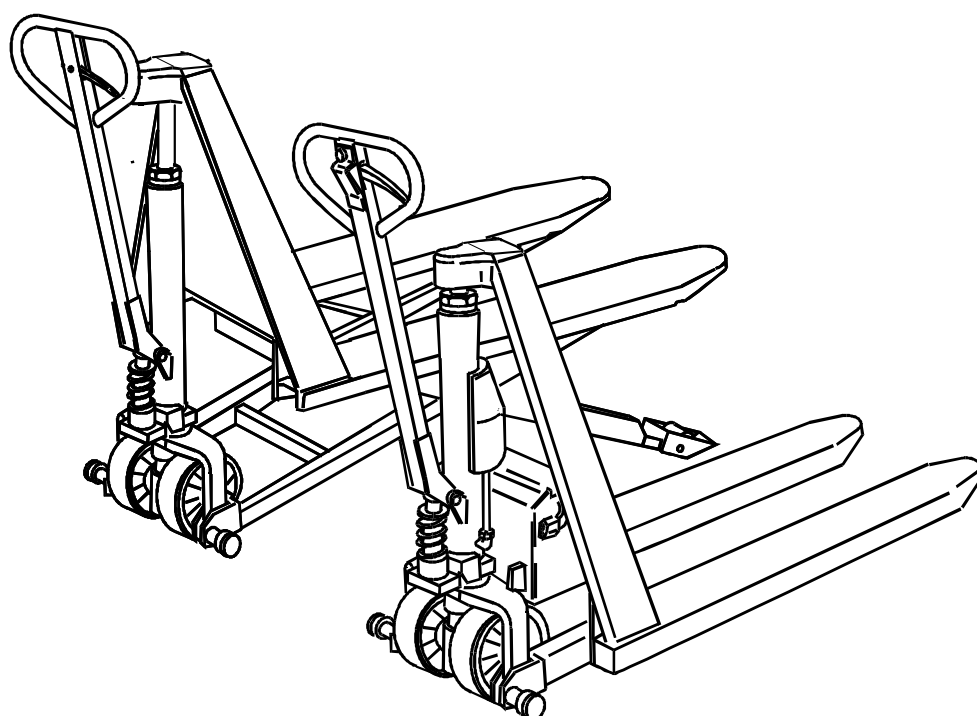
TOYOTA

High lifter HTH 10 M / HTH 10 E

Valid for machine number: 468200 -

Only valid for machine number:

--	--	--	--	--	--	--	--

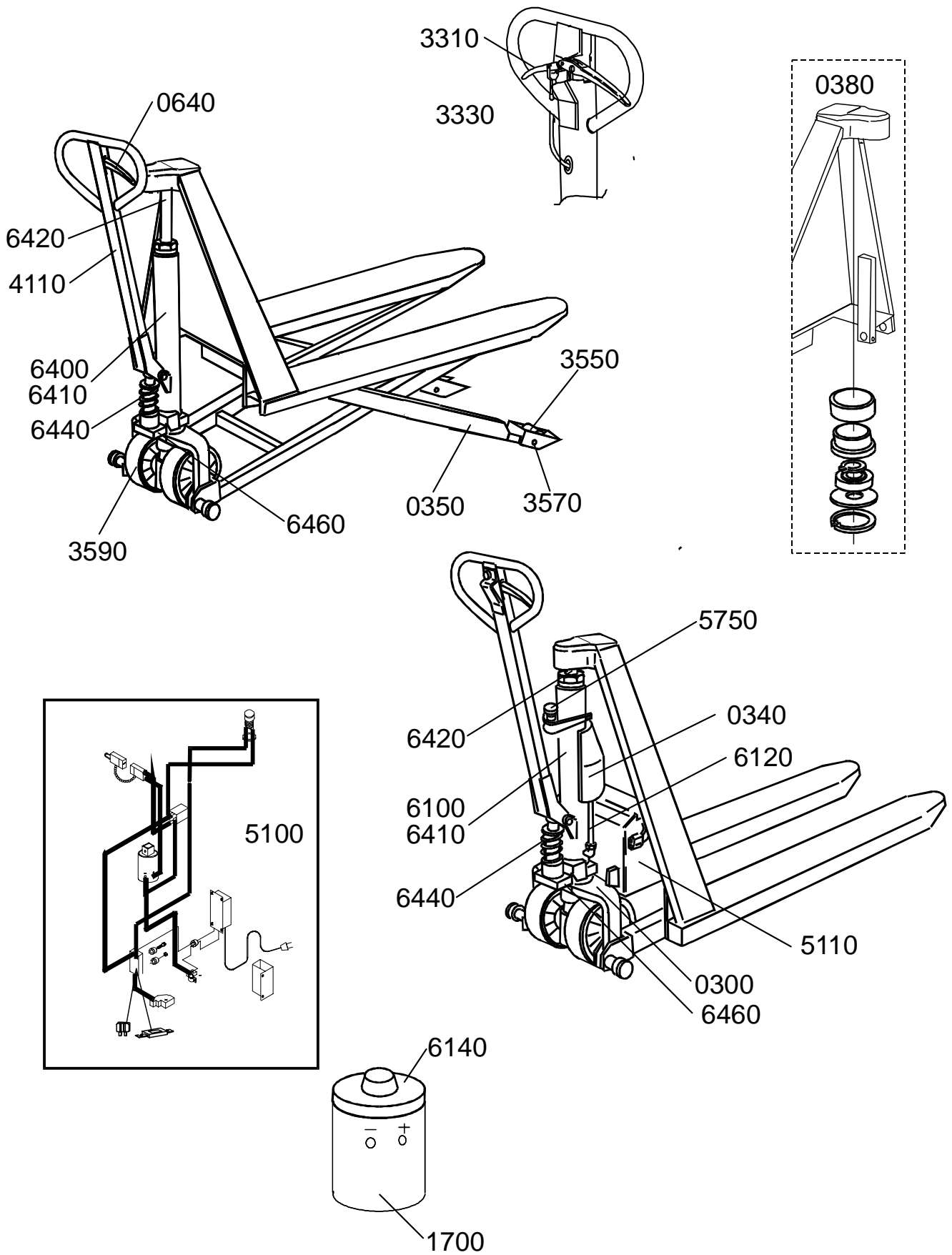


Spare Parts Catalogue

Ordering number 177966

Date 2001-06-11

TOYOTA



0000 Chassis

Chassi; Chassis; Châssis

0300-001 Frame, chassis

Ram, chassi; Rahmen, Chassis; Châssis

0340-171 Inspection covers

Huvar, luckor; Hauben, Abdeckungen; Capots, couvercles

0350-020 Support arms, stabilizers

Stödben, stabilisatorer; Stützarme, Stabilisatoren; Bras porteurs, stabilisateurs

0380-177 Fork frame (low lifters)

Gaffelstomme (låglyftare); Gabelchassis (Niederhubwagen); Châssis (transpalettes)

0640-043 Driver controls (mechanical)

Förarreglage (mekaniskt); Bedienungselemente (mech.); Commandes (mécaniques)

0850-145 Signs, warnings, decals

Skyltar, varningar, dekaler; Schilder, Warnzeichen, Aufkleber; Vignettes, avertissements, autocollants

1000 Motors

Motorer; Motoren; Moteurs

1710-023 Electric pump motor

Elektrisk pumpmotor; Elektro-Pumpenmotor; Moteur de pompe électrique

3000 Brake/Wheel/Caterpillar system

Broms-/Hjul/Bandsystem; Brems-/Rad-/Bandsystem; Freins/Roues/Chenilles

3550-072 Fork/support arm wheels

Gaffel-/stödbenshjul; Gabel-/Stützarmrollen; Roues bras-support

3570-037 Wheel locating points

Hjulinfästning/-upphängning; Radaufhängung; Point de fixation/suspension roues

3590-007 Steered wheel

Styrhjul; Gelenkte Räder; Roues directrices

4000 Steering system

Styrssystem; Steuer-/Lenksystem; Système de direction

4110-165 Steering arm / wheel / lever

Styr- arm/ratt/spak; Deichsel, Lenkrad-hebel; Timon/volant/levier de direction

4110-166 Steering arm / wheel / lever

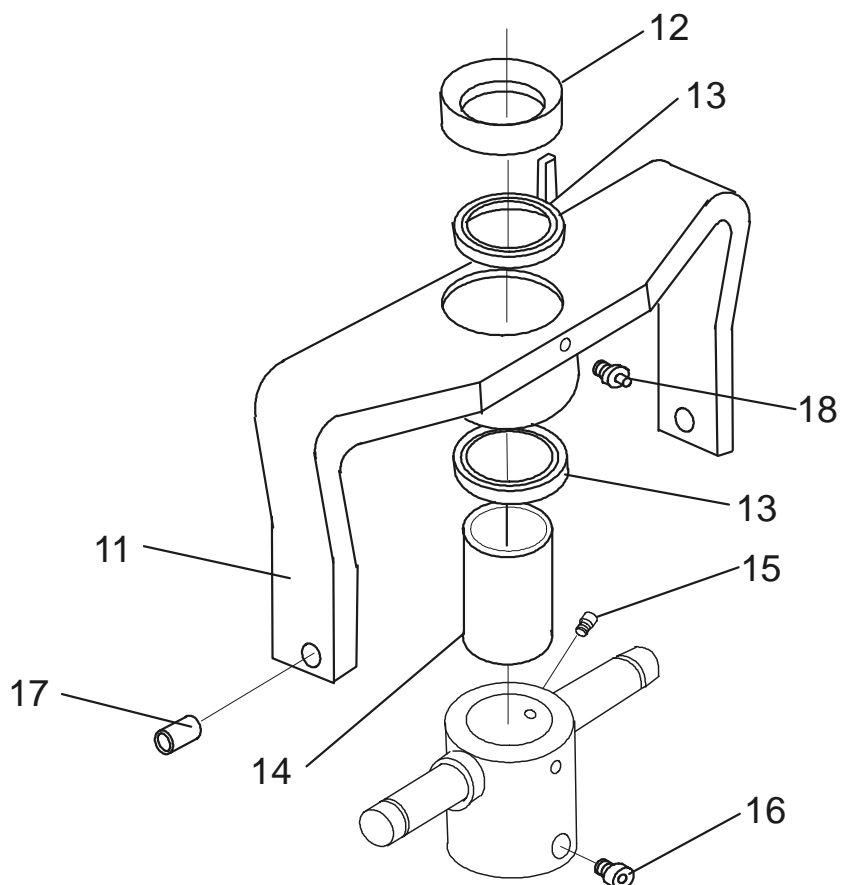
Styr- arm/ratt/spak; Deichsel, Lenkrad-hebel; Timon/volant/levier de direction

5000 Electrical system

Elektriskt system; Elektroanlage; Système électrique

TOYOTA

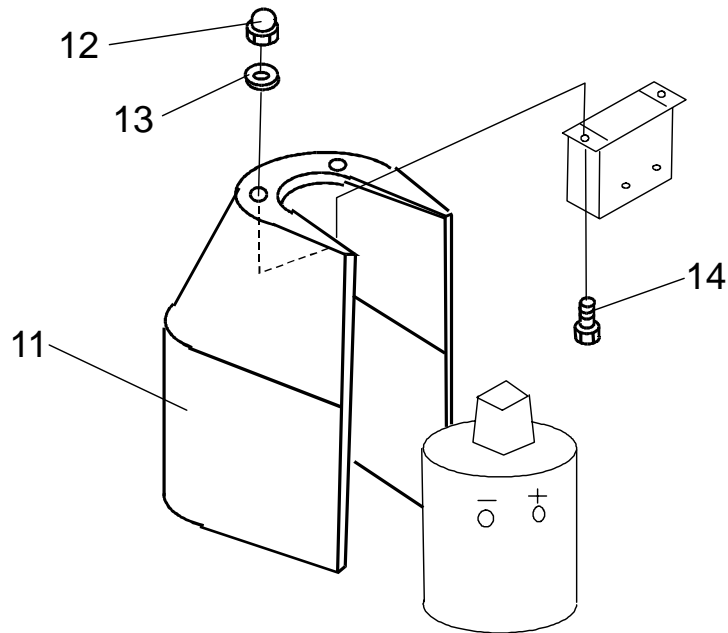
- 5100-013 General electrical components**
Allmän el-utrustning; Allgemeine Elektroausrüstung; Composants électriques
- 5100-014 General electrical components**
Allmän el-utrustning; Allgemeine Elektroausrüstung; Composants électriques
- 5110-010 Battery**
Batteri; Batterie; Batterie
- 5110-013 Battery**
Batteri; Batterie; Batterie
- 5310-026 Start/stop switch**
Start/stoppstömställare; Schalter Fahren/Anhalten; Interrupteur (coupe-circuit) démarrage/arrêt
- 5750-120 Safety/ position probes/ sensors**
Skydds-/ läges-givare/-sensor; Schutz- / Positions-schalter/-geber; Emetteurs/capteurs (sondes) de sécurité/ position
-
- 6000 Hydraulic/pneumatic system**
Hydraulik/pneumatik; Hydraulikanlage/Pneumatik; Système hydraulique/pneumatique
- 6100-039 Hydraulic unit**
Hydraulaggregat; Hydraulikaggregat; Unité hydraulique
- 6120-117 Hydraulic tank lines**
Tankhydraulledning; Hydrauliktankleitungen; Tuyaux réservoir hydraulique
- 6140-010 Hydraulic pump**
Hydraulpump; Hydraulikpumpe; Pompe hydraulique
- 6140-011 Hydraulic pump**
Hydraulpump; Hydraulikpumpe; Pompe hydraulique
- 6400-019 Manual pump unit, jack**
Manuell hydraul, domkraft; Manuelle Hydraulikeinheit/Pumpe; Groupe hydraulique manuel, cric
- 6410-006 Pump unit housing/tank**
Hydraulstomme/-tank; Hydraulikgehäuse/-tank; Carter/réservoir hydraulique
- 6410-007 Pump unit housing/tank**
Hydraulstomme/-tank; Hydraulikgehäuse/-tank; Carter/réservoir hydraulique
- 6420-006 Lift cylinder/piston**
Lyftcylinder/-kolv; Hubzylinder/-kolben; Vérin/piston de levage
- 6440-006 Manual pump**
Manuell pump; Manuelle Pumpe; Pompe manuelle
- 6460-007 Valve functions**
Ventilfunktioner; Ventilfunktionen; Fonctions de soupapes (valves)
- 6460-008 Valve functions**
Ventilfunktioner; Ventilfunktionen; Fonctions de soupapes (valves)

**0300-001 Frame, chassis**

Ram, chassi; Rahmen, Chassis; Châssis

[2001-06-06]

Pos	Description	Pcs	Part No	Note
			244 HTH 10 M 245 HTH 10 E	464300 - 464300 -
11	Yoke Ok; Joch; Manchon	1	137058	
12	Distance piece Distans; Distanz; Distance	1	137053	
13	Ball bearing Kullager; Kugellager; Roulement a billes	2	137057	
14	Distance piece Distans; Distanz; Distance	1	137054	
15	Stop screw Stoppskruv; Einstellschraube; Vis de arretoire	3	137052	
16	Screw Skruv; Schraube; Vis	3	137056	
17	Bush Bussning; Bague; Bague	2	137003	
18	Greasing nipple Smörjnippel; Smiernippel; Graisseur	1	166556	

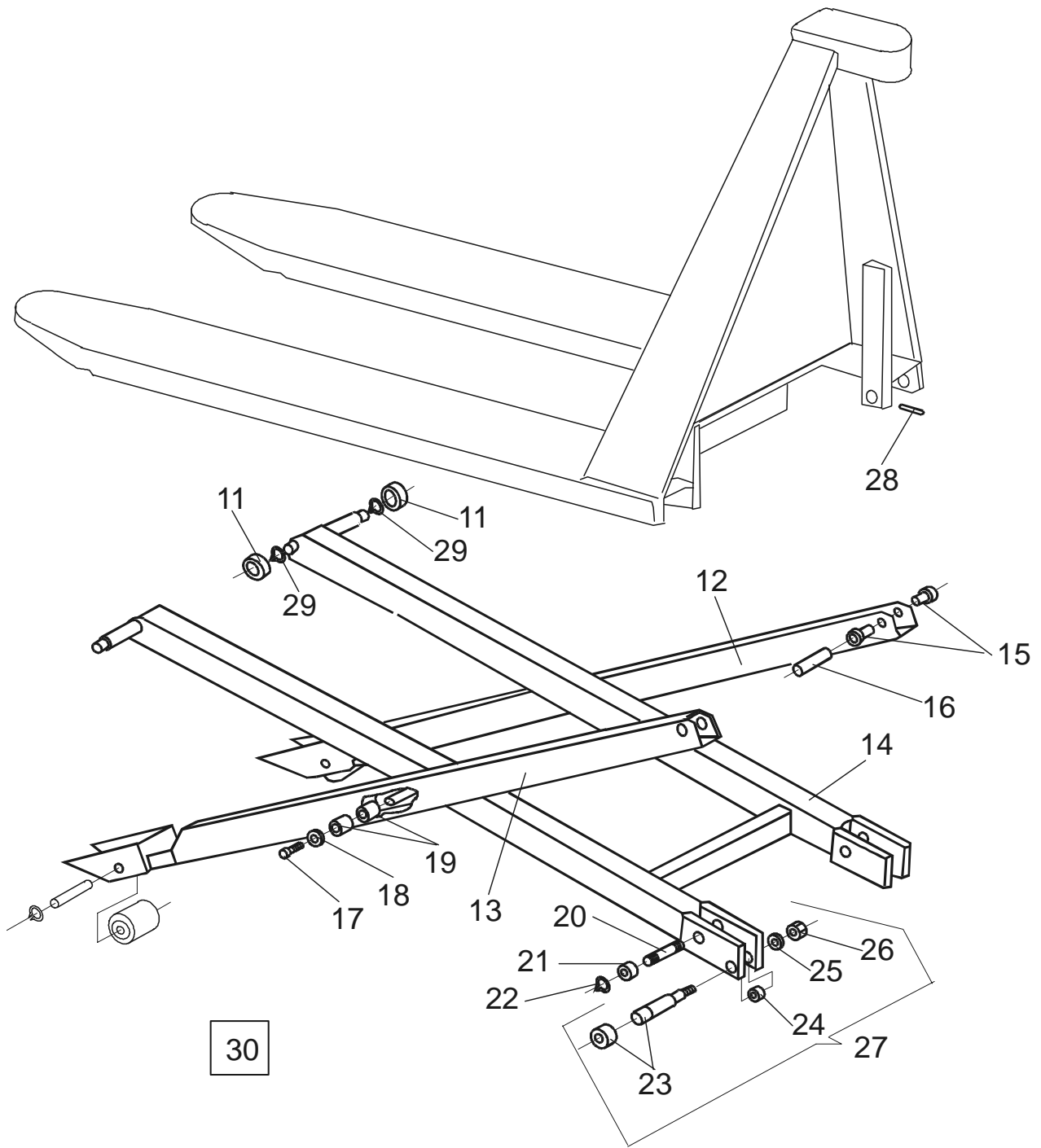


0340-171 Inspection covers

[2001-06-06]

Huvar, luckor; Hauben, Abdeckungen; Capots, couvercles

Pos	Description	Pcs	Part No	Note
11	Housing Kâpa; Haus; Chape	1	178476	Width 480; 520; 560; 685
12	Nut Mutter; Mutter; Erou	2	137097	
13	Bush Bussning; Bague; Bague	2	137074	
14	Screw Skruv; Schraube; Vis	2	178487	



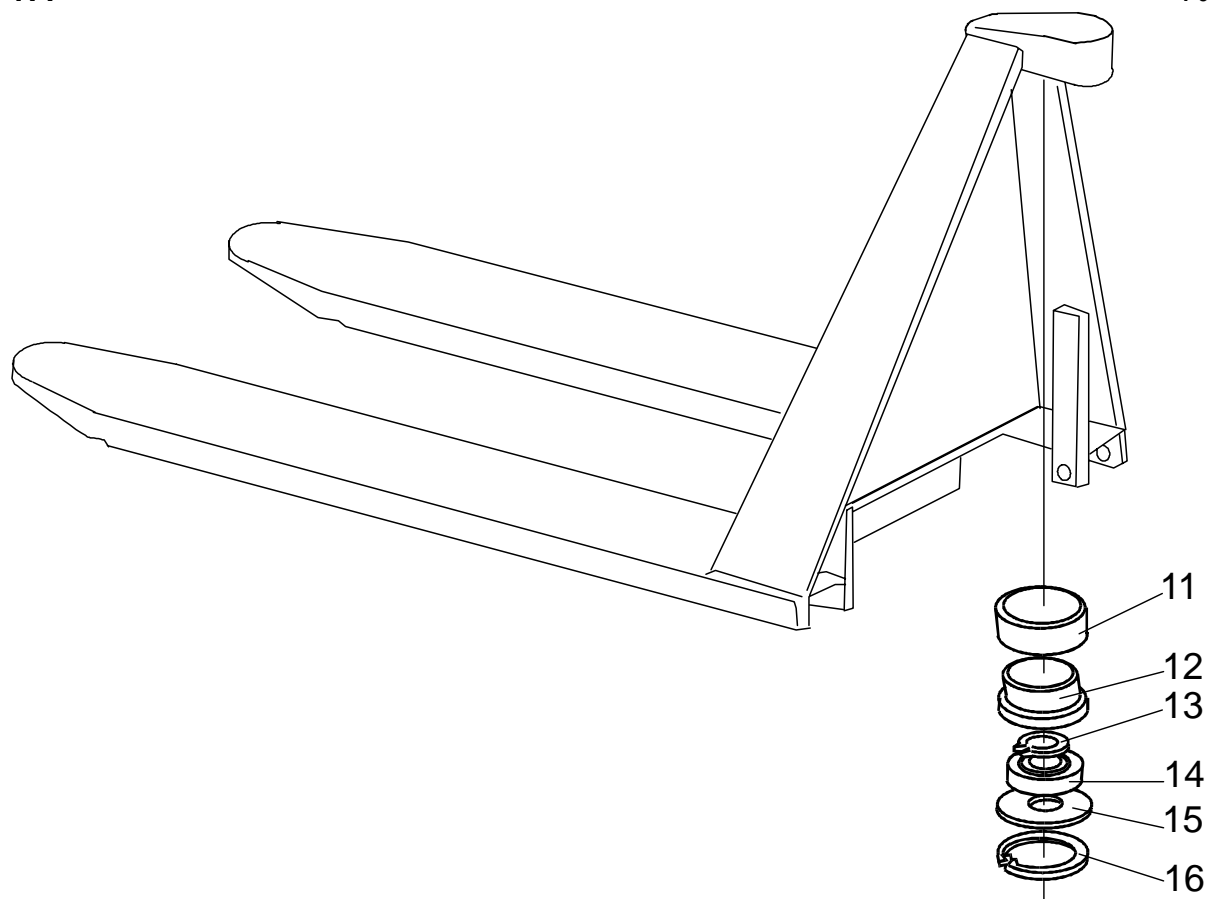
30

0350-020 Support arms, stabilizers

[2001-06-07]

Stödben, stabilisatorer; Stützarme, Stabilisatoren; Bras porteurs, stabilisateurs

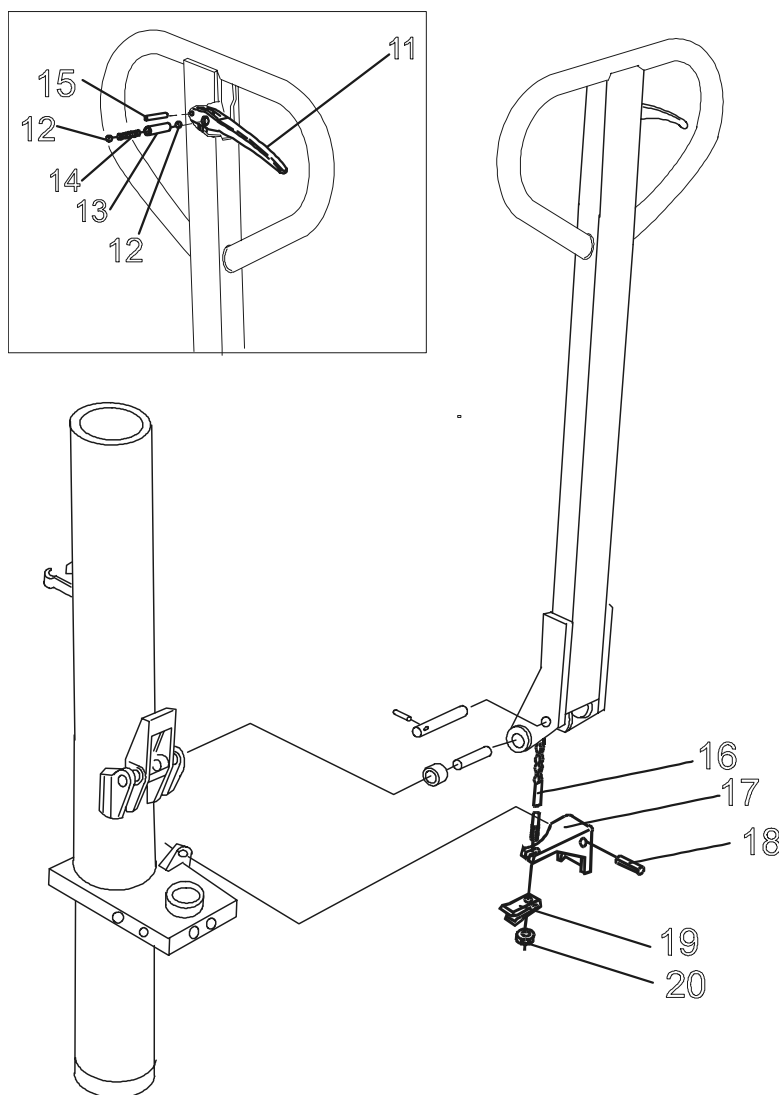
Pos	Description	Pcs	Part No	Note
			244 HTH 10 M 245 HTH 10 E	464300 - 464300 -
11	Ball bearing Kullager; Kugellager; Roulement a billes	4	136984	
12	Scissor(Left) Saxben(Vänster); Scherenarm(Links); Pantographe(Gauge)	1	136994-001	1190 mm
13	Scissor(Right) Saxben(Höger); Scherenarm(Recht); Pantographe(Droit)	1	136995-001	1190 mm
14	Lifting frame(Double) Lyftram(Dubbel); Hubrahmen(Doppel); Cadre élévateur(Double)	1	136996	560x1190 mm
15	Bush Bussning; Bague; Bague	4	136985	
16	Axle Axel; Achse; Axe	2	136987	
17	Screw Skruv; Schraube; Vis	2	136989	
18	Washer Bricka; Scheibe; Rondelle	2	136988	
19	Bush Bussning; Bague; Bague	4	136990	
20	Axle Axel; Achse; Axe	2	136991	
21	Bush Bussning; Bague; Bague	2	136992	
22	Locking ring Spärring; Schliessring; Circlip	4	136983	
23	Stabiliser Stabilisator; Stabilisator; Stabilisateur	2	137000	
24	Bush Bussning; Bague; Bague	2	137003	
25	Sealing Tätning; Dichtung; Joint	2	137002	
26	Nut Mutter; Mutter; Ecrou	2	137001	
27	Stabilisation unit Stabiliseringsenhet; Stabilisierungseinheit; Unite stabilisation	1	136999	
28	Locking pin Spännstift; Spannstift; Goupille	2	136993	
29	Locking ring Spärring; Schliessring; Circlip	4	136983	
30	Lifting frame(Complete) Lyftram(Komplett); Hubrahmen(Komplett); Cadre élévateur(Complet)	1	170726	

**0380-177 Fork frame (low lifters)**

[2000-05-17]

Gaffelstomme (låglyftare); Gabelchassis (Niederhubwagen); Châssis (transpalette)

Pos	Description	Pcs	Part No	Note
			244 HTH 10 M 245 HTH 10 E	468200 - 468200 -
11	Insert Mellanlägg; Zwischenlauf; Rondelle de compensation	1	47997	
12	Housing Lagerhus; Gehäuse; Carter de roulement	1	164675	
13	Locking ring Spårring; Schliessring; Circlip	1	20041	
14	Ball bearing Kullager; Kugellager; Roulement a billes	1	20018	
15	Washer Bricka; Scheibe; Rondelle	1	47995	
16	Locking ring Spårring; Schliessring; Circlip	1	20076	

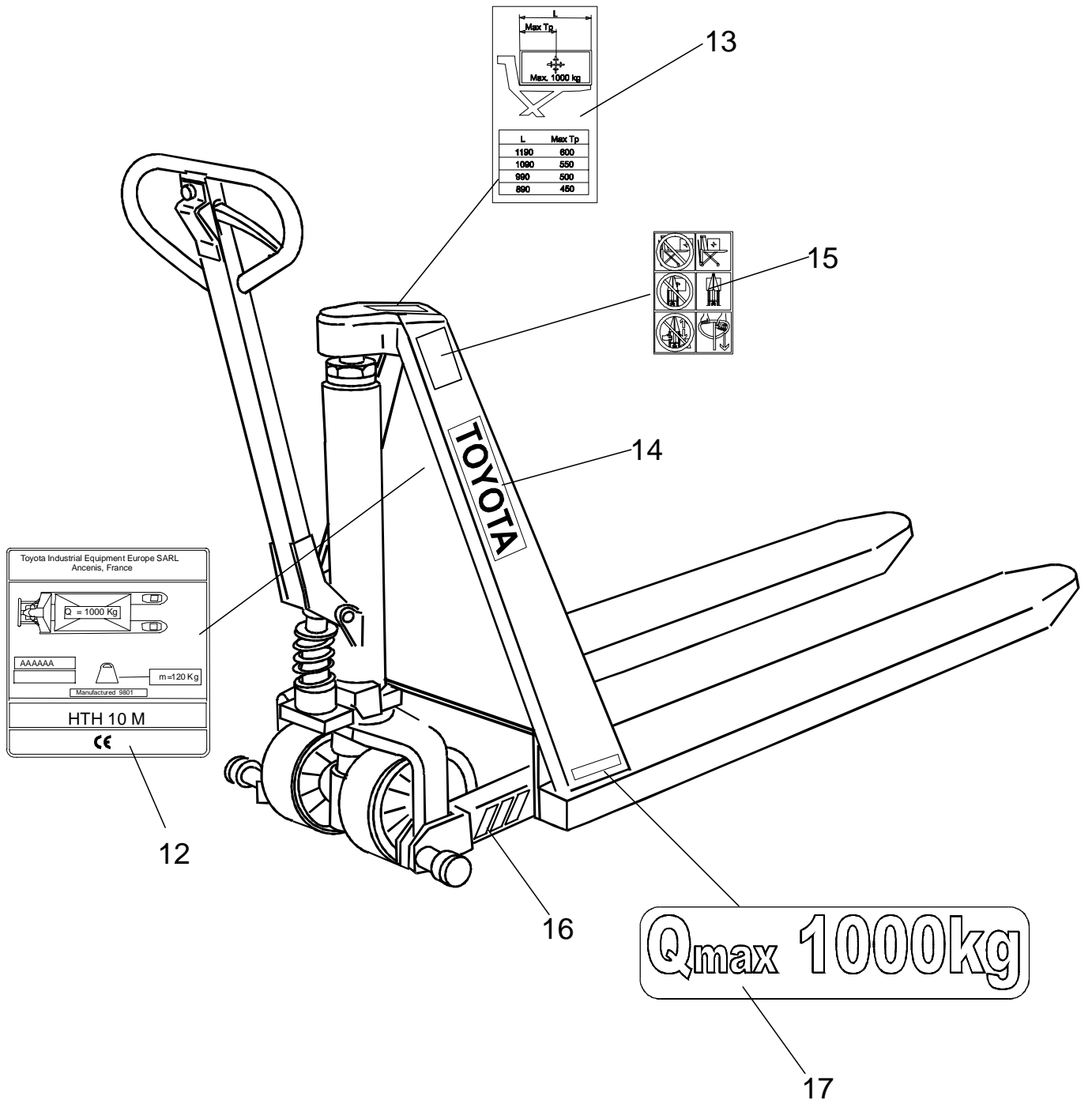


0640-043 Driver controls (mechanical)

[2001-06-11]

Förarreglage (mekaniskt); Bedienungselemente (mech.); Commandes (mécaniques)

Pos	Description	Pcs	Part No	Note
11	Handle Handtag; Handgriff; Poignée.	1	47083	
12	Ball Kula; Kugel; Boule	2	22757	
13	Sleeve Hylsa; Hülse; Douille	1	54140	
14	Spring Fjäder; Feder; Ressort	1	47089	
15	Locking pin Spännstift; Spannstift; Goupille	1	20105	
16	Valve bar(Complete) Ventilstång(Komplett); Ventilstange(Komplett); Commande descente(Complett)	1	137104	
17	Lowering arm Sänkarm; Senkhebel; Bras	1	47070	
18	Locking pin Spännstift; Spannstift; Goupille	1	20104	
19	Spring Fjäder; Feder; Ressort	1	42631	
20	Nut Mutter; Mutter; Ecrou	1	21094	

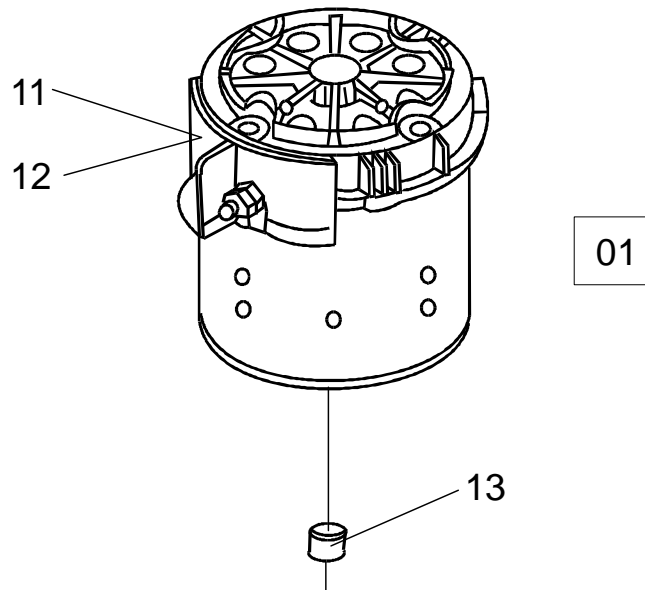


0850-145 Signs, warnings, decals

[2000-05-17]

Skyltar, varningar, dekaler; Schilder, Warnzeichen, Aufkleber; Vignettes, avertissements, autocollants

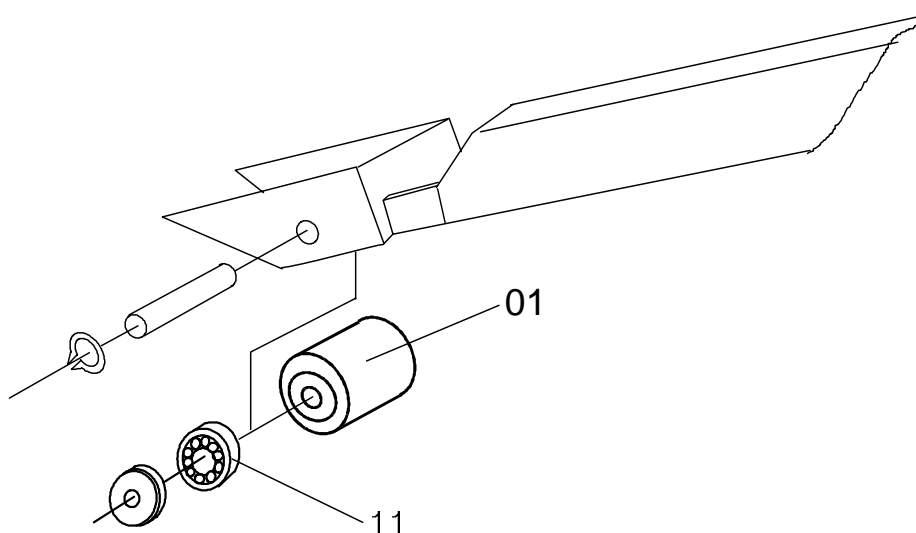
Pos	Description	Pcs	Part No	Note
			244 HTH 10 M 245 HTH 10 E	468200 - 468200 -
12	Sign Skylt; Schild; Vignette	1	170008	HTH 10 M
12	Sign Skylt; Schild; Vignette	1	172616	HTH 10 E
13	Sign Skylt; Schild; Vignette	1	153751	
14	Decal Dekal; Abziehbilder; Enseigne	2	168213	
15	Sign Skylt; Schild; Vignette	2	170151	
16	Tape Tejp; Klebeband; Adhésif autocollant		150762	Warning Varning; Warnung; Avertissement
17	Sign Skylt; Schild; Vignette	2	177216	

**1710-023 Electric pump motor**

[2000-05-23]

Elektrisk pumpmotor; Elektro-Pumpenmotor; Moteur de pompe électrique

			245 HTH 10 E	468200 -
Pos	Description	Pcs	Part No	Note
01	Motor Motor; Motor; Moteur	1	165763	
11	Carbon brush set Kolsats; Kohlenbürstesats; Jeux de charbon	1	165415	
12	Carbon brush set(Including holder) Kolsats(Inklusive hållare); Kohlenbürstesats(Inklusive dem Halter)	1	165759	
13	Connection Koppling; Kupplung; Raccord	1	165762	

**3550-072 Fork/support arm wheels**

[2000-05-23]

Gaffel-/stödbenshjul; Gabel-/Stützarmrollen; Roues bras-support

Pos	Description	Pcs	Part No	Note
			244 HTH 10 M 245 HTH 10 E	468200 - 468200 -
01	Wheel complete(Nylon) Hjul komplett; Rad komplett; Roue complete	2	167611	
11	Bearing Lager; Lager; Roulement	2	167630	

3570-037

P0012167

3570-037 Wheel locating points

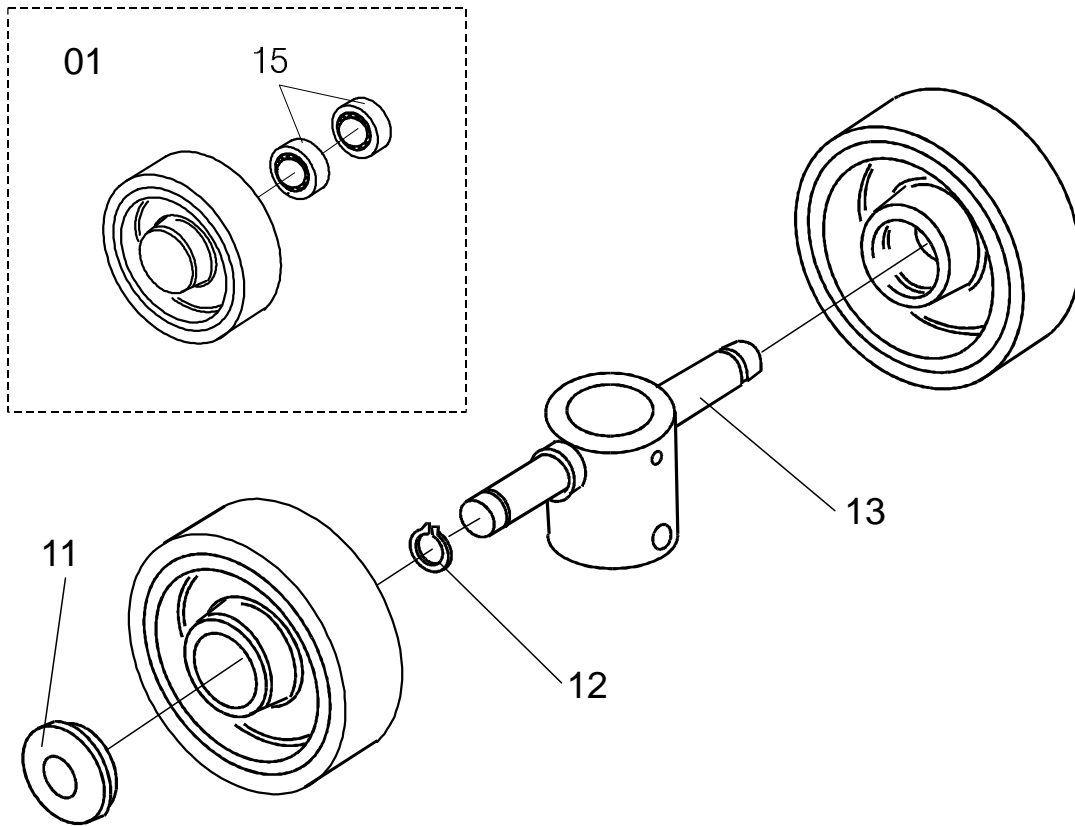
[2000-05-15]

Hjulinfästning/-upphängning; Radaufhängung; Point de fixation/suspension roues

Pos	Description	Pcs	Part No	Note
			244 HTH 10 M 245 HTH 10 E	464300 - 464300 -
11	Axle Axel; Achse; Axe	2	136986	
12	Locking ring Spårring; Schliessring; Circlip	4	166654	

3590-007

P0012256

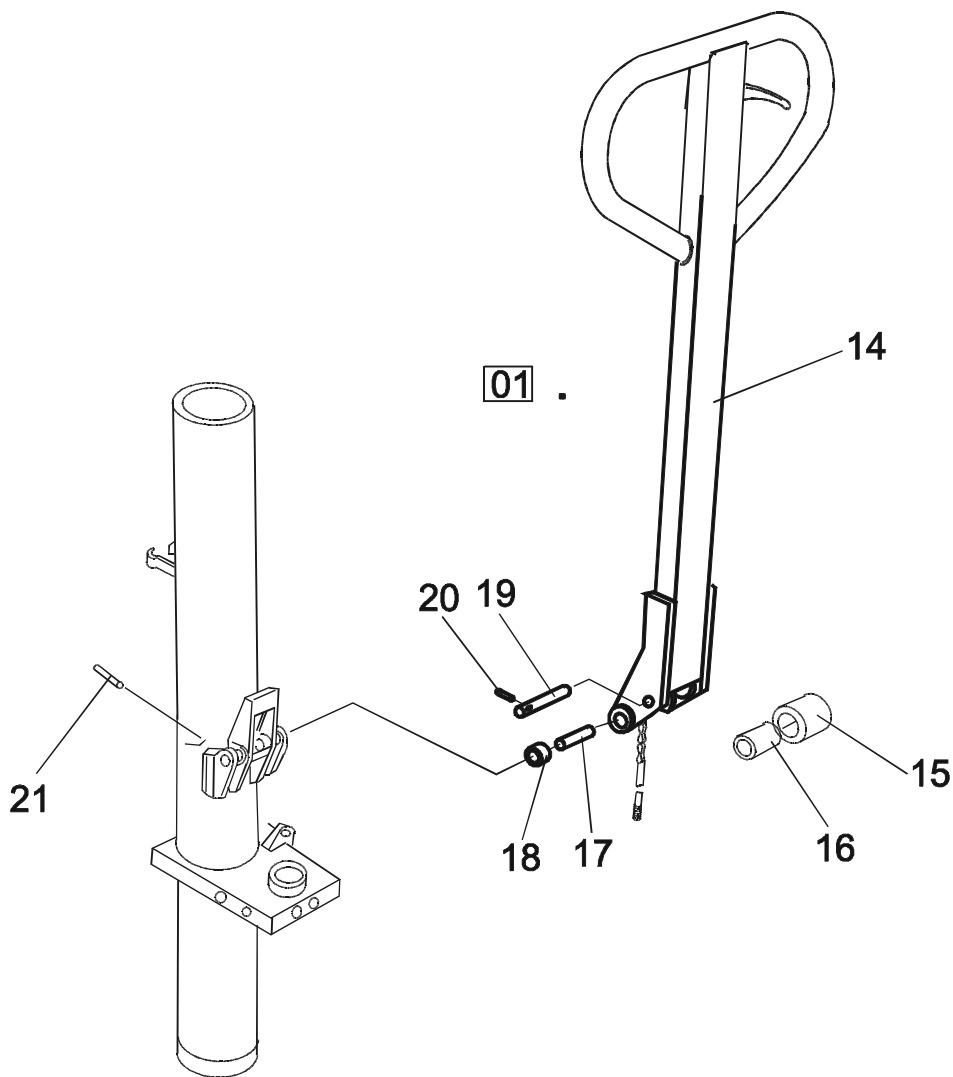


3590-007 Steered wheel

Styrhjul; Gelenkte Räder; Roues directrices

[2000-05-23]

Pos	Description	Pcs	Part No	Note
01	Wheel complete(Polyuretan) Hjul komplett; Rad komplett; Roue complete	2	160422	
11	Cap Lock; Deckel; Couvercle	2	156623	
12	Locking ring Spärring; Schliessring; Circlip	2	20019	
13	Consol Konsol; Konsole; Console	1	166457	
15	Bearing Lager; Lager; Roulement	2	22226	

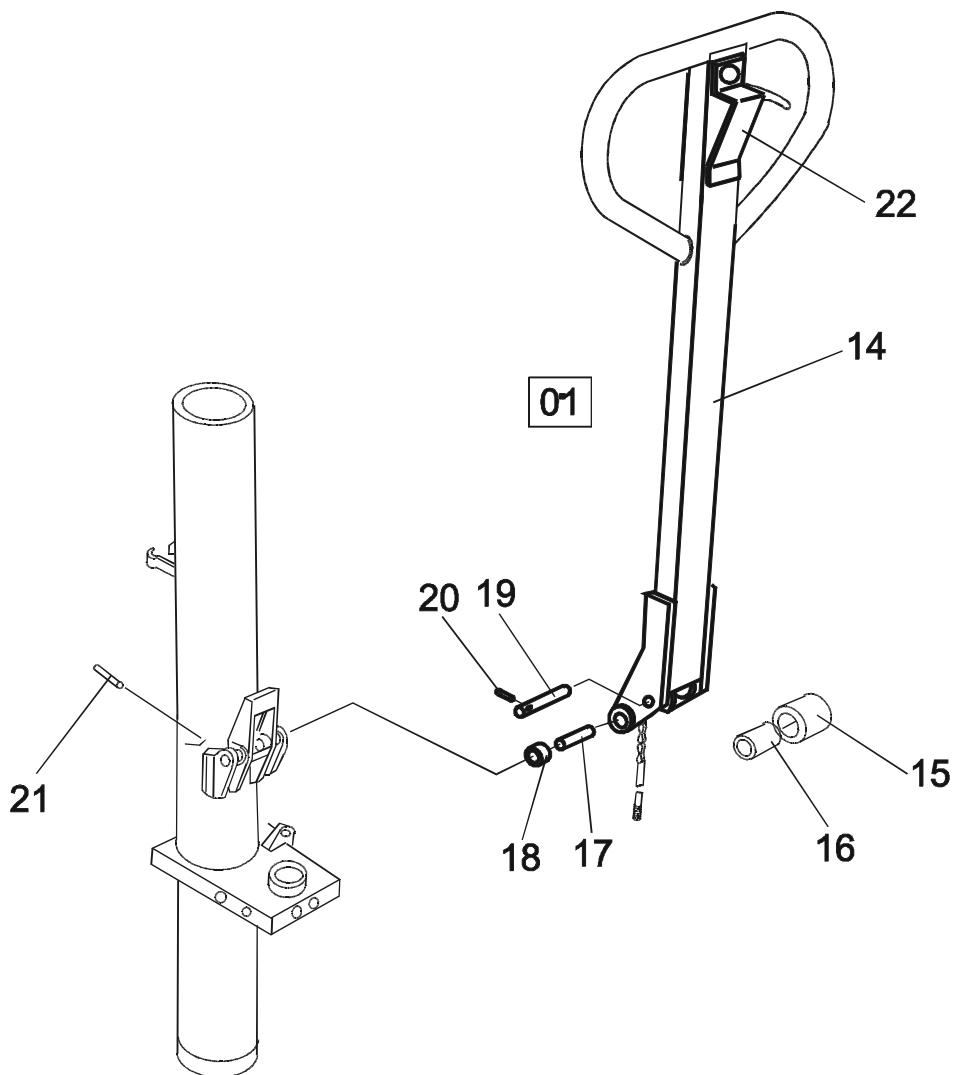


4110-165 Steering arm / wheel / lever

[2001-06-11]

Styr- arm/ratt/spak; Deichsel, Lenkrad-hebel; Timon/volant/levier de direction

			244 HTH 10 M	468200 -
Pos	Description	Pcs	Part No	Note
01	Tow bar(Complete) Dragstång(Komplett); Zugstange(Komplett); Timon(Comple)	1	175771	
14	Tow bar Dragstång; Zugstange; Timon	1	177031	
15	Roller Rulle; Rolle; Roleau	1	47929	
16	Bush Bussning; Bague; Bague	1	22108	
17	Axle Axel; Achse; Axe	2	47931	
18	Bush Bussning; Bague; Bague	2	176827	
19	Axle Axel; Achse; Axe	1	47930	
20	Locking pin Spännstift; Spannstift; Goupille	1	20461	
21	Locking pin Spännstift; Spannstift; Goupille	2	20071	

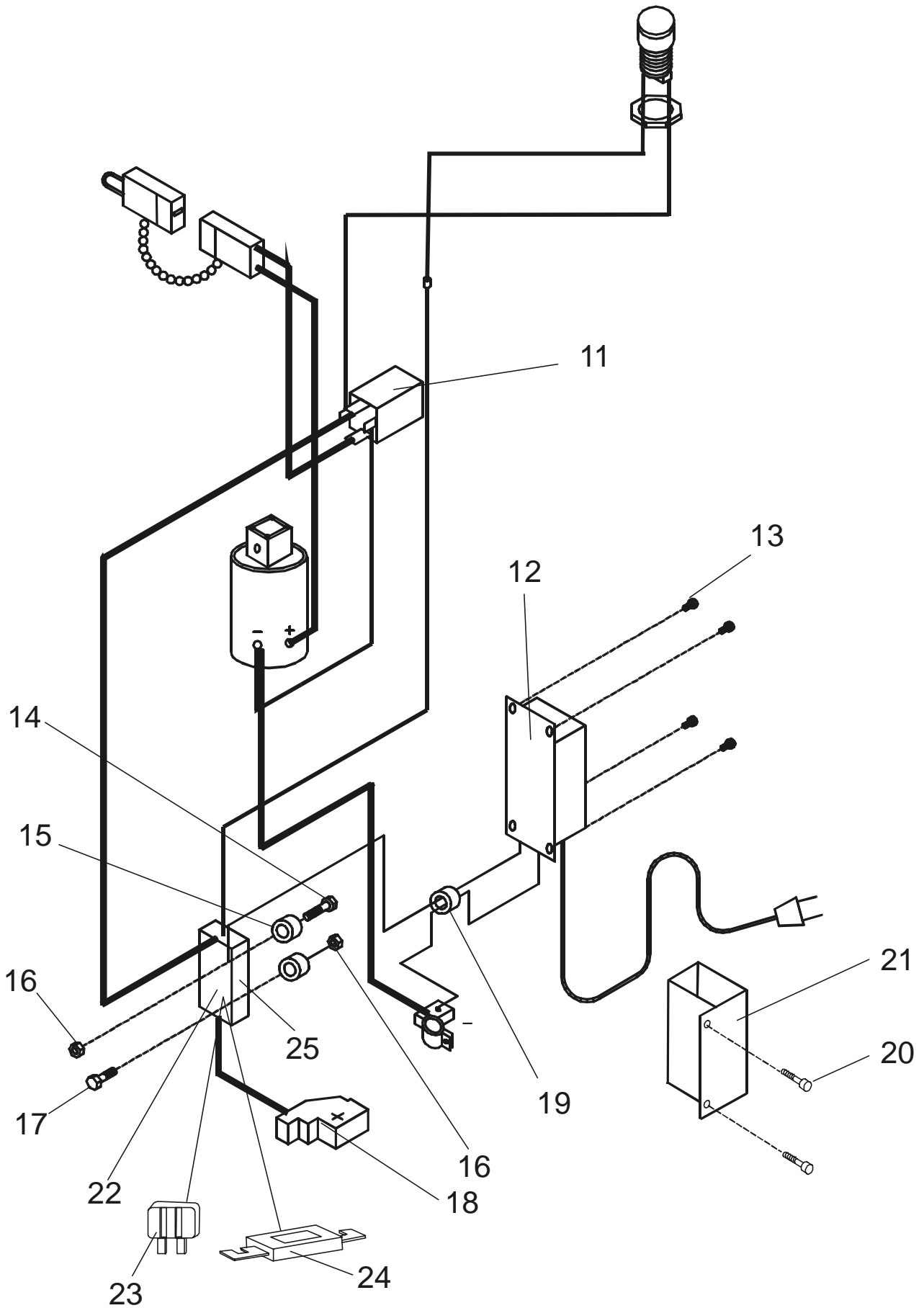


4110-166 Steering arm / wheel / lever

[2001-06-11]

Styr- arm/ratt/spak; Deichsel, Lenkrad-hebel; Timon/volant/levier de direction

			245 HTH 10 E	468200 -
Pos	Description	Pcs	Part No	Note
01	Tow bar(Complete) Dragstång(Komplett); Zugstange(Komplett); Timon(Comple)	1	175774	
14	Tow bar Dragstång; Zugstange; Timon	1	177164	
15	Roller Rulle; Rolle; Roleau	1	47929	
16	Bush Bussning; Bague; Bague	1	22108	
17	Axle Axel; Achse; Axe	2	47931	
18	Bush Bussning; Bague; Bague	2	176827	
19	Axle Axel; Achse; Axe	1	47930	
20	Locking pin Spännstift; Spannstift; Goupille	1	20461	
21	Locking pin Spännstift; Spannstift; Goupille	2	20071	
22	Clamp Klamma; Rohrschelle; Collier	1	137086	

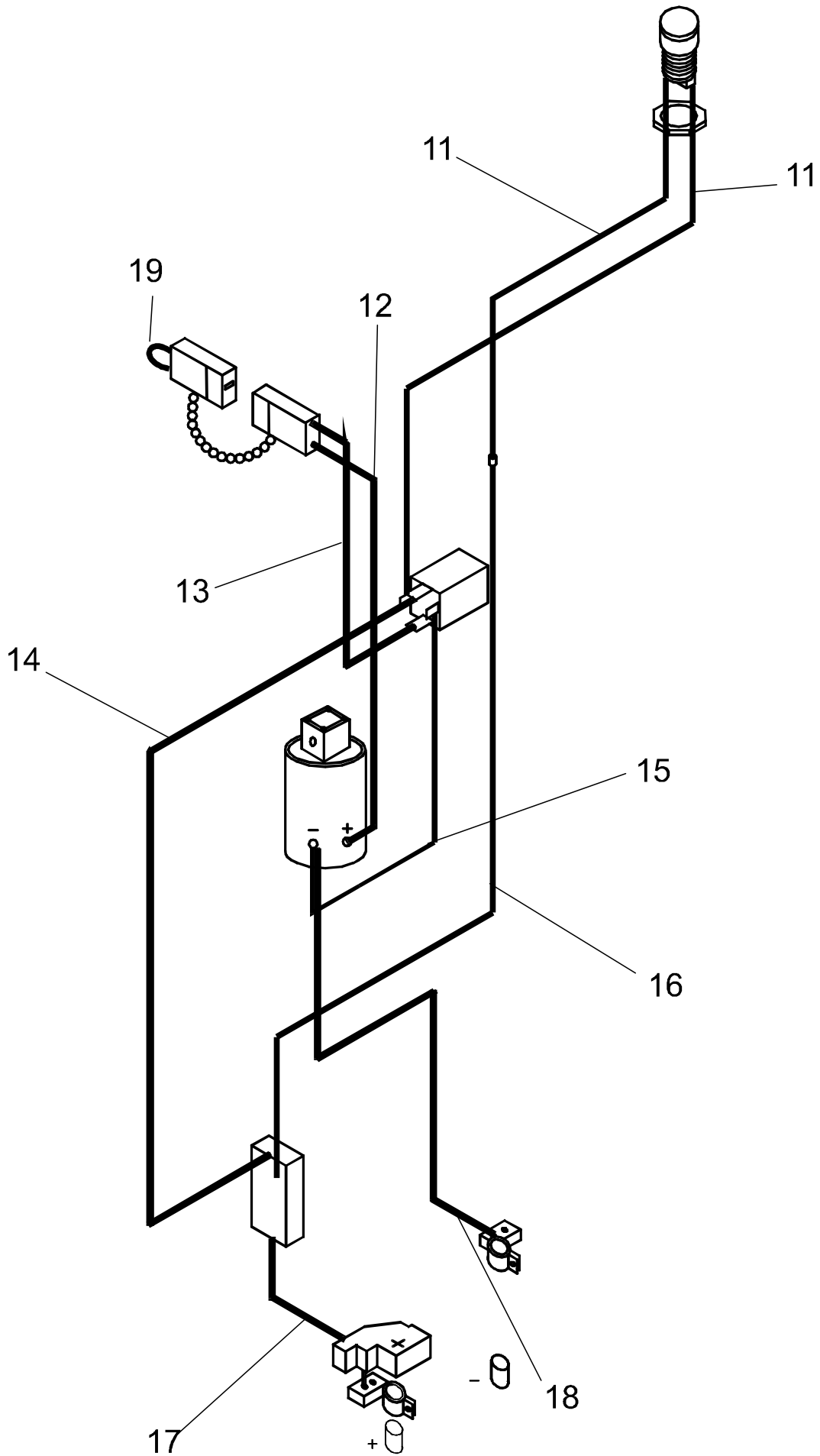


5100-013 General electrical components

[2001-06-08]

Allmän el-utrustning; Allgemeine Elektroausrüstung; Composants électriques

			245 HTH 10 E	468200 -
Pos	Description	Pcs	Part No	Note
11	Relay Relä; Relais; Relais	1	178484	
12	Battery charger Batteriladdare; Batterieladevorrichtung; Chargeur (batterie)	1	178483	
13	Screw Skruv; Schraube; Vis	4	162176	
14	Screw Skruv; Schraube; Vis	1	22723	
15	Distance piece Distans; Distanz; Distance	2	148848	
16	Nut Mutter; Mutter; Ecrou	2	20235	
17	Screw Skruv; Schraube; Vis	1	22117	
18	Sleeve(Rubber) Hylsa(Gummi); Hülse(Gummi); Douille(Gomme)	1	178485	
19	Guide Genomföring; Durchführung; Guide	1	166458	
20	Screw Skruv; Schraube; Vis	2	162176	
21	Support Hållare; Stossfänger; Absorber des chocs	1	178493	
22	Cap Lock; Deckel; Couvercle	1	178492	
23	Fuse(100A) Säkring; Sicherung; Fusible	1	142544	
24	Fuse(10A) Säkring; Sicherung; Fusible	1	28251	
25	Fuse holder(Complete) Säkringshållare(Komplett); Sicherungshalter(Komplett); Porte-fusibles(Complett)	1	148846	

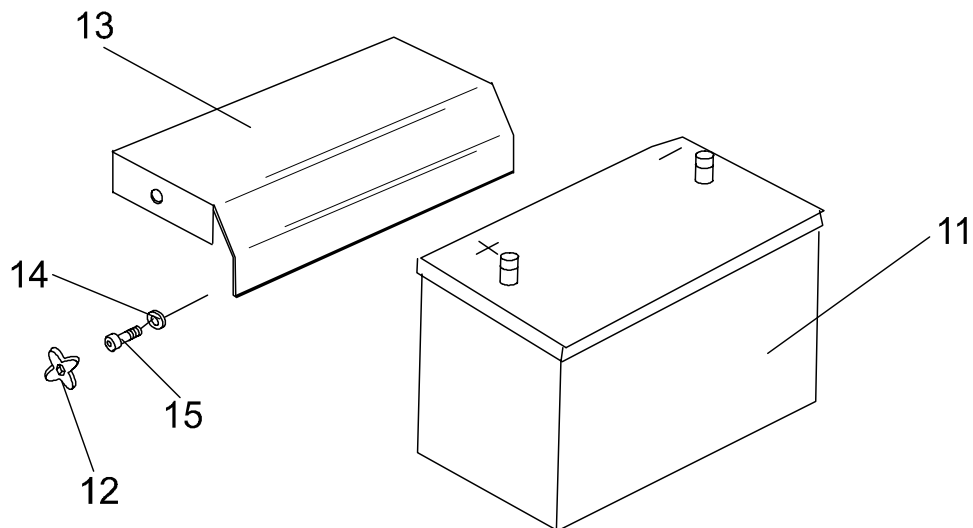


5100-014 General electrical components

[2001-06-08]

Allmän el-utrustning; Allgemeine Elektroausrüstung; Composants électriques

			245 HTH 10 E	468200 -
Pos	Description	Pcs	Part No	Note
11	Cable(9; 10) Kabel; Kabel; Câble	2	166386	
12	Cable(6) Kabel; Kabel; Câble	1	178480	
13	Cable(3) Kabel; Kabel; Câble	1	178479	
14	Cable(2) Kabel; Kabel; Câble	1	178478	Width 560, 685
14	Cable(2) Kabel; Kabel; Câble	1	182738	Width 480, 520
15	Cable(11) Kabel; Kabel; Câble	1	150243	
16	Cable(8) Kabel; Kabel; Câble	1	178482	Width 560, 685
16	Cable(8) Kabel; Kabel; Câble	1	182739	Width 480, 520
17	Cable(1) Kabel; Kabel; Câble	1	178477	
18	Cable(5) Kabel; Kabel; Câble	1	150241	Width 560, 685
18	Cable(5) Kabel; Kabel; Câble	1	182737	Width 480, 520
19	Cable(4) Kabel; Kabel; Câble	1	178473	

**5110-010 Battery**

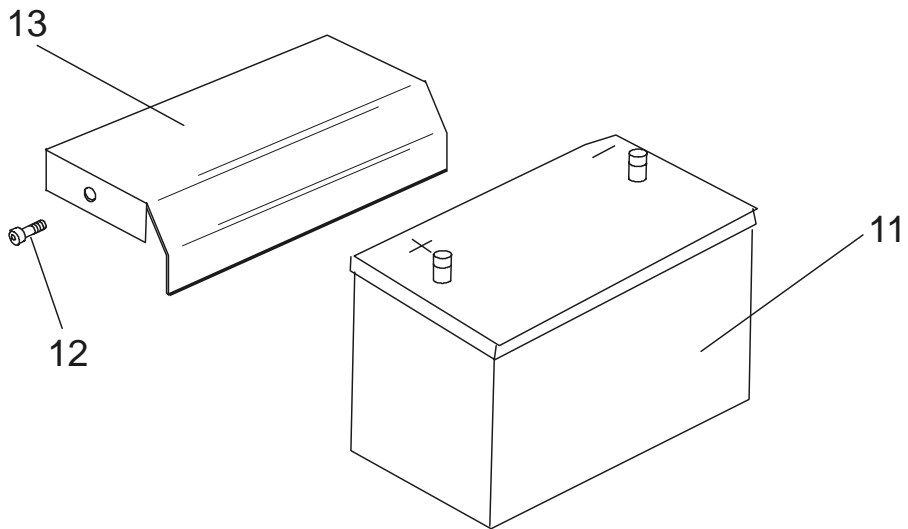
Batteri; Batterie; Batterie

[2001-06-08]

			245 HTH 10 E	468200 - 468499
Pos	Description	Pcs	Part No	Note
11	Battery Batteri; Batterie; Batterie	1	44745-211	
12	Knob Vred; Hahn; Poignée	2	161393	
13	Cap Lock; Deckel; Couvercle	1	178490	
14	Bush Bussning; Bague; Bague	2	137074	
15	Bolt Bult; Bolzen; Boulon	2	164924	

5110-013

P0014345

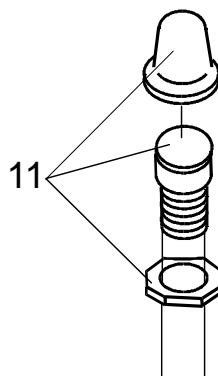


5110-013 Battery

Batteri; Batterie; Batterie

[2001-06-08]

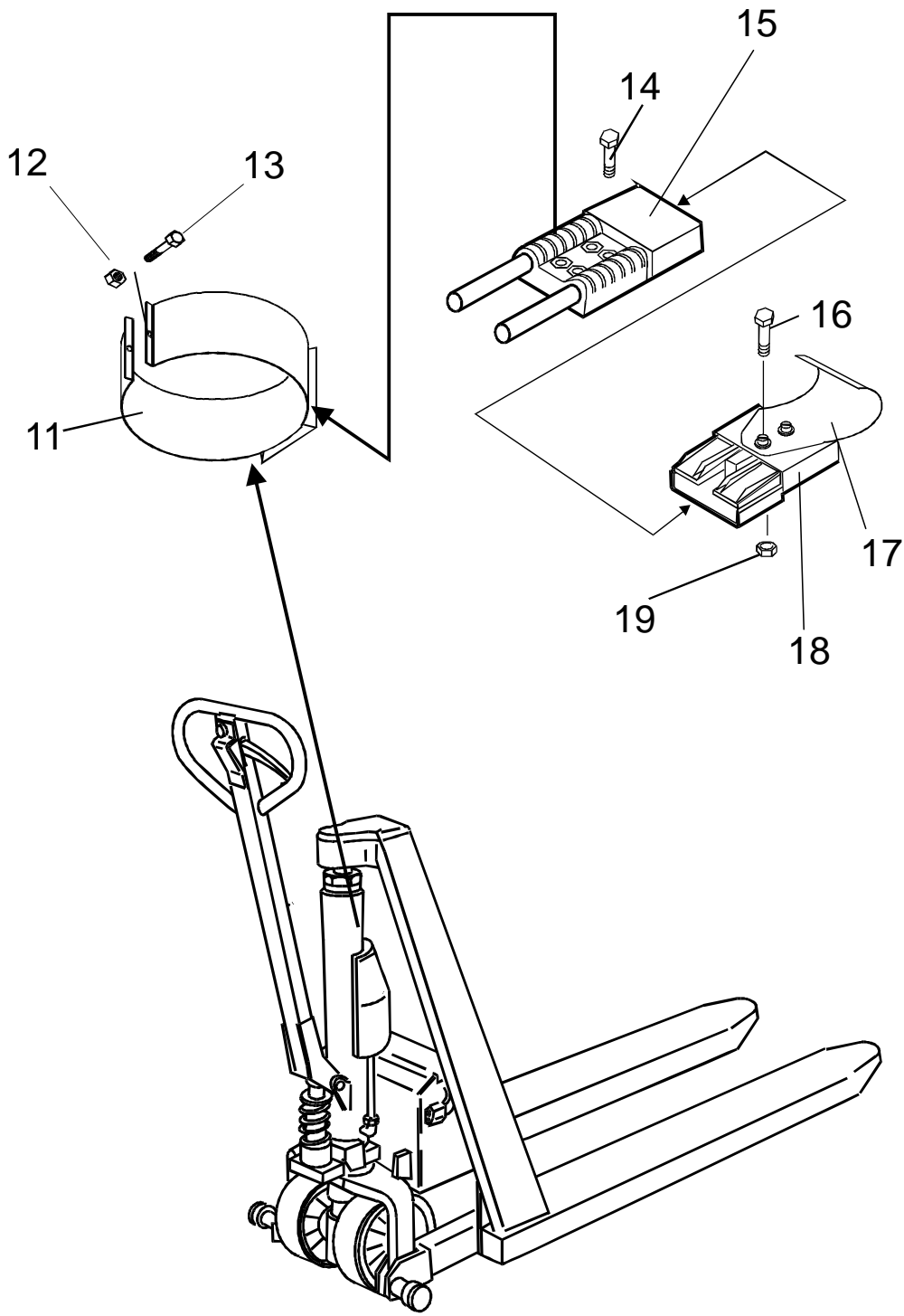
			245 HTH 10 E	468500 -
Pos	Description	Pcs	Part No	Note
11	Battery Batteri; Batterie; Batterie	1	44745-211	
12	Bolt Bult; Bolzen; Boulon	2	183476	
13	Cap Lock; Deckel; Couvercle	1	178490	Width 560, 685
13	Cap Lock; Deckel; Couvercle	1	183477	Width 480, 520

**5310-026 Start/stop switch**

[1998-08-20]

Start/stopströmställare; Schalter Fahren/Anhalten; Interrupteur (coupe-circuit) démarrage/arrêt

Pos	Description	Pcs	Part No	Note
11	Starting switch Startknapp; Startschalter; Contact de démarreur	1	137093	

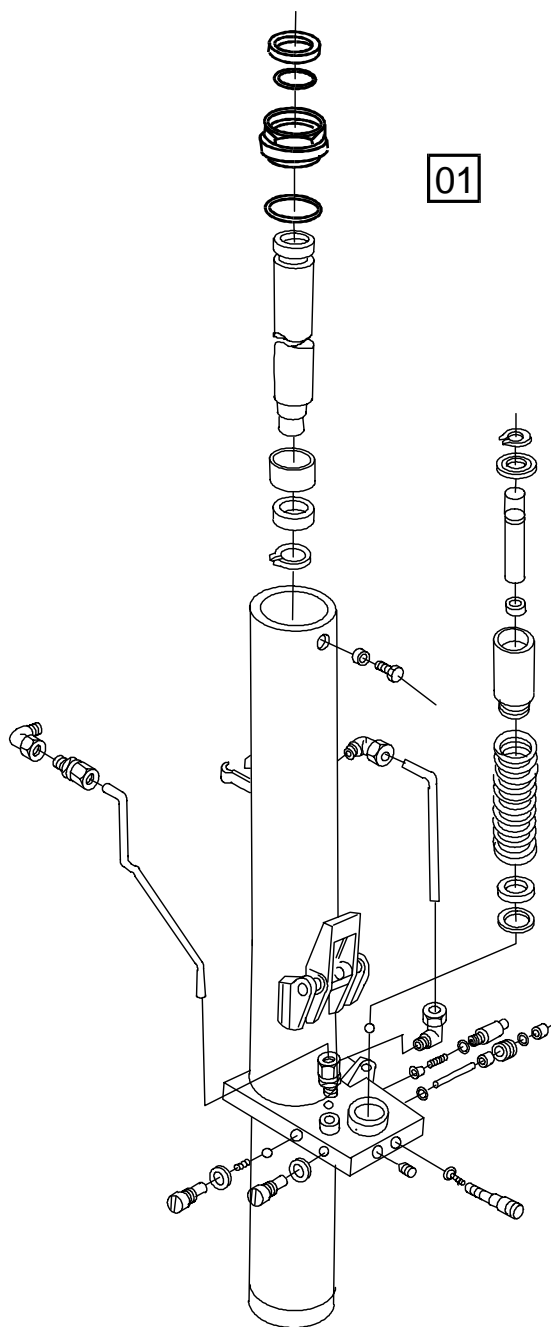


5750-120 Safety/ position probes/ sensors

[2001-06-08]

Skydds-/ läges-givare/-sensor; Schutz- / Positions-schalter/-geber; Emetteurs/capteurs (sondes) de sécurité/ position

Pos	Description	Pcs	Part No	Note
			245 HTH 10 E 245 HTH 10 E	468200 - 468200 -
11	Support Hållare; Stossfänger; Absorber des chocs	1	178470	
12	Nut Mutter; Mutter; Ecrou	1	21094	
13	Screw Skruv; Schraube; Vis	1	162342	
14	Screw Skruv; Schraube; Vis	2	137108	
15	Connector Handske; Stecker; Bloc de connexion	1	137094	
16	Screw Skruv; Schraube; Vis	2	178474	
17	Handle Handtag; Handgriff; Poignée.	1	178475	
18	Connector Handske; Stecker; Bloc de connexion	1	137094	
19	Nut Mutter; Mutter; Ecrou	2	28972	

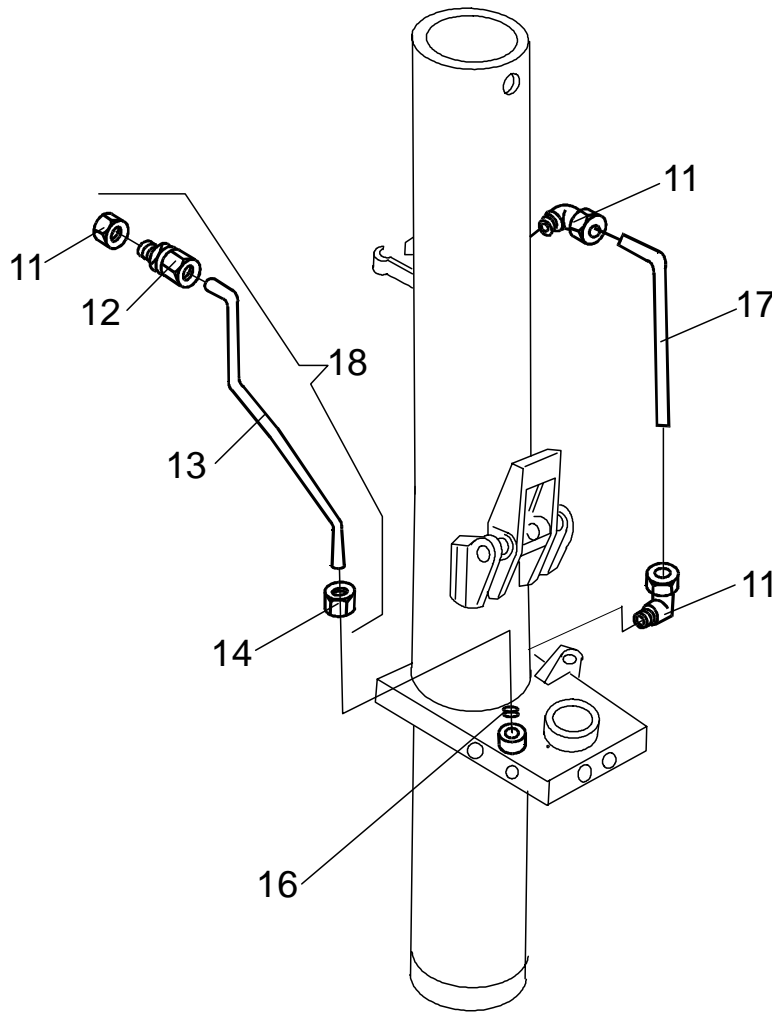


6100-039 Hydraulic unit

Hydraulaggregat; Hydraulikaggregat; Unité hydraulique

[1999-05-04]

			245 HTH 10 E	464300 -
Pos	Description	Pcs	Part No	Note
01	Pump unit compl. Pumpenhet kompl.; Pumpeinheit kompl.; Unite de pompe compl.	1	141692	

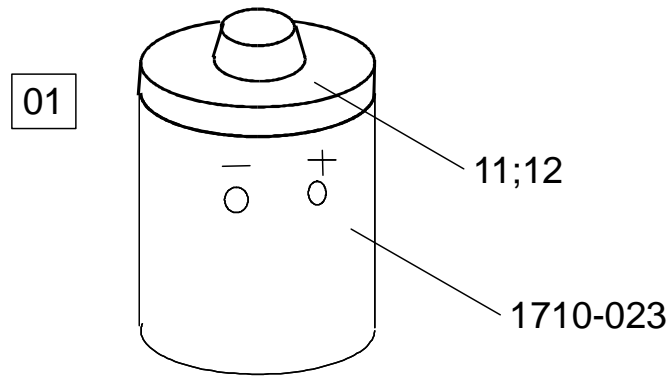


6120-117 Hydraulic tank lines

[1999-05-04]

Tankhydraulledningar; Hydrauliktankleitungen; Tuyaux réservoir hydraulique

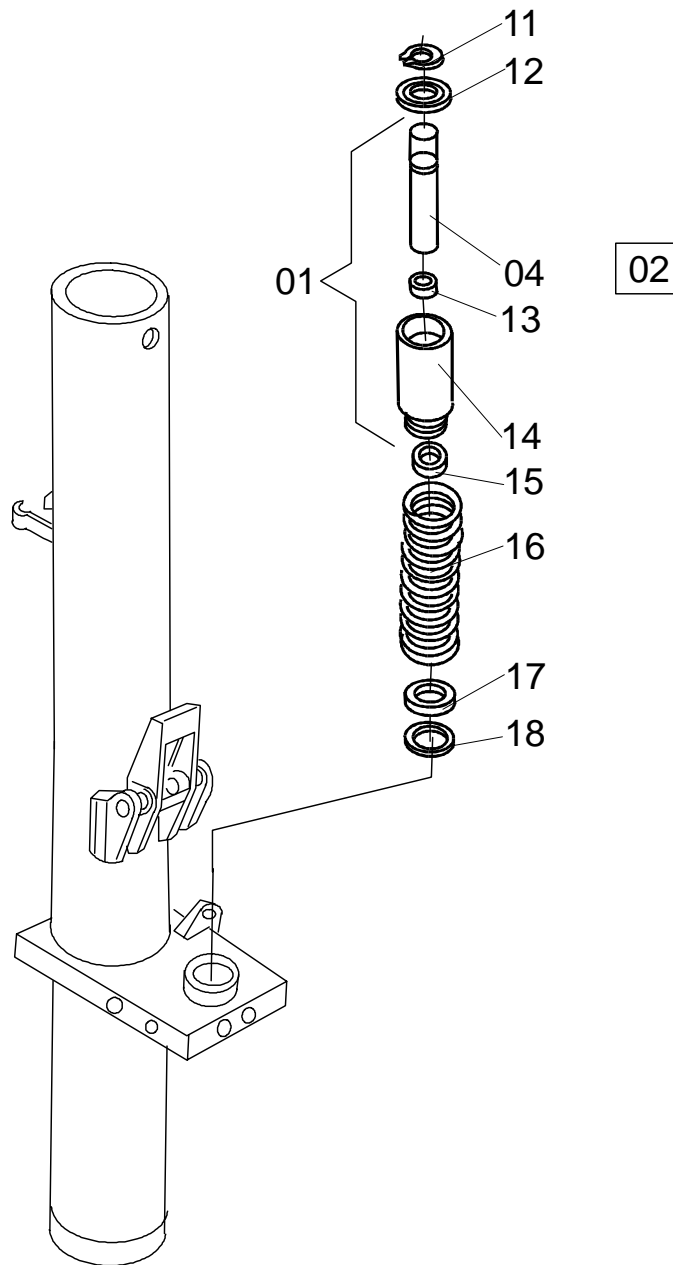
			245 HTH 10 E	464300 -
Pos	Description	Pcs	Part No	Note
11	Connection Koppling; Kupplung; Raccord	3	137082	
12	Reducer Reducering; Reduzierung; Réduction	1	137078	
13	Pipe Rör; Rohr; Tube	1	137080	
14	Connection Koppling; Kupplung; Raccord	1	137079	
16	Spring Fjäder; Feder; Ressort	1	137073	
17	Pipe Rör; Rohr; Tube	1	137081	
18	Pipe(Complete) Rör(Komplett); Rohr(Komplett); Tube(Comple)	1	166411	

**6140-010 Hydraulic pump**

Hydraulpump; Hydraulikpumpe; Pompe hydraulique

[2000-05-23]

			245 HTH 10 E	464300 -
Pos	Description	Pcs	Part No	Note
01	Pump unit (Complete) Pumpaggregat(Komplett); Pumpgerät(Komplett); Unite de pompe(Comple)et	1	137942	
11	Pump Pump; Pump; Pumpe	1	165761	
12	Packing set Packningssats; Packungssatz; Jeux d' étanchéité.	1	165760	

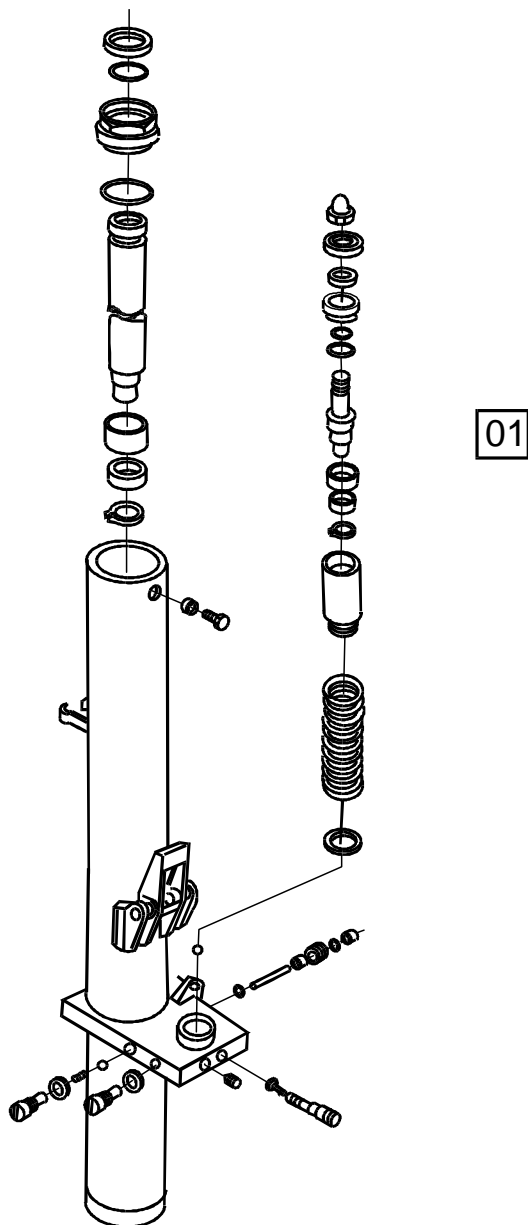


6140-011 Hydraulic pump

[1998-08-13]

Hydraulpump; Hydraulikpumpe; Pompe hydraulique

			245 HTH 10 E	464300 -
Pos	Description	Pcs	Part No	Note
01	Pump cylinder(Complete) Pumpcylinder(Komplett); Pumpzylinder(Komplett); Corps de pompe(Comple)	1	137068	
02	Packing set Packningssats; Packungssatz; Jeux d' étanchéité.	1	139033	
04	Piston Kolv; Kolben; Piston	1	137070	
11	Locking ring Spärring; Schliessring; Circlip	1	137085	
12	Washer Bricka; Scheibe; Rondelle	1	47450	
13	Sealing ring Tätningring; Dichtungsring; Bague d' étanchéité	1	137071	
14	Pump cylinder Pumpcylinder; Pumpzylinder; Corps de pompe	1	137069	
15	Sealing ring Tätningring; Dichtungsring; Bague d' étanchéité	1	137072	
16	Spring Fjäder; Feder; Ressort	1	65245	
17	Ring Ring; Ring; Bague	1	137083	
18	Ring Ring; Ring; Bague	1	137020	

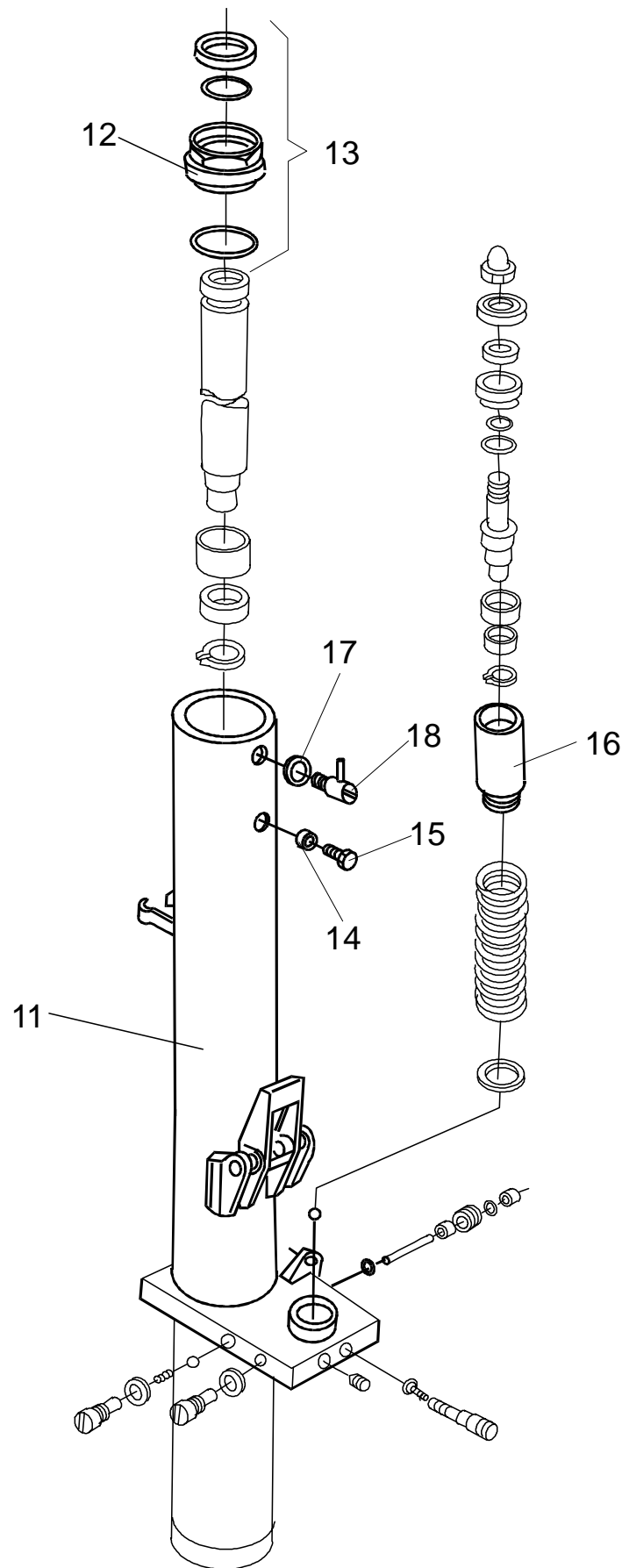


6400-019 Manual pump unit, jack

[1998-06-24]

Manuell hydraul, domkraft; Manuelle Hydraulikeinheit/Pumpe; Groupe hydraulique manuel, cric

Pos	Description	Pcs	Part No	Note
01	Hydraul unit(Complete) Hydraulenhet(Komplett); Hydraulikeinheit(Komplett); Unite hydraulique(Comple)	1	141717	

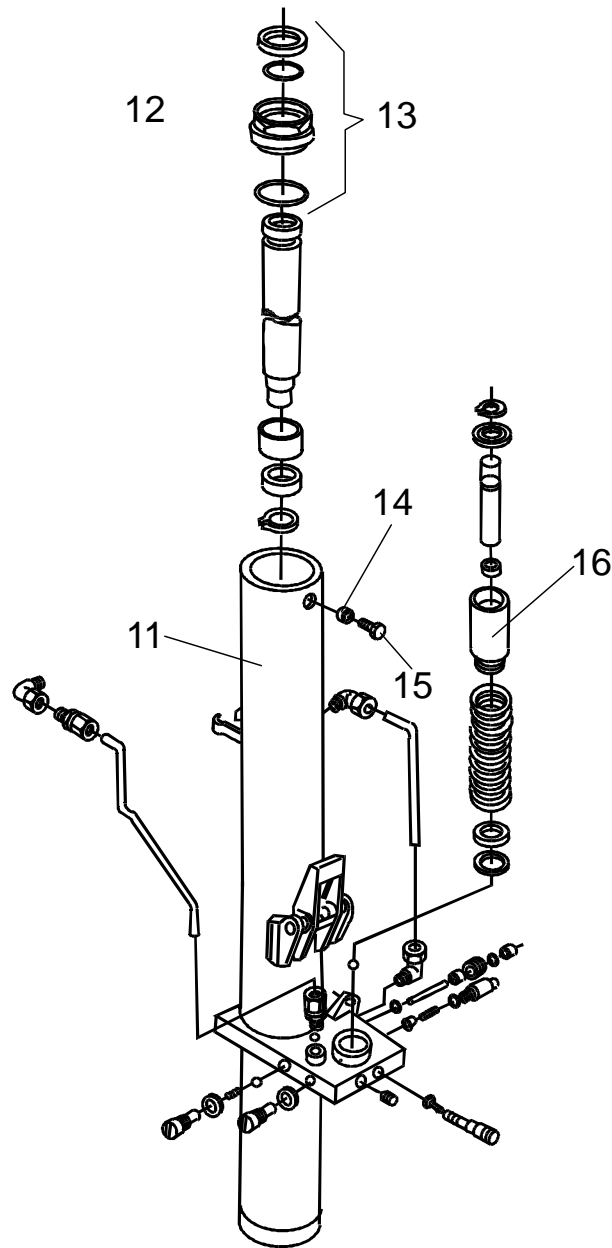


6410-006 Pump unit housing/tank

[1998-06-24]

Hydraulstomme/-tank; Hydraulikgehäuse/-tank; Carter/réservoir hydraulique

		244 HTH 10 M		464300 -
Pos	Description	Pcs	Part No	Note
11	Pump housing Pumphus; Pumpgehäuse; Cariste de pompe	1	141716	
12	Nut Mutter; Mutter; Erou	1	137045	
13	Nut(Complete) Mutter(Komplett); Mutter(Komplett); Erou(Comple)	1	137044	
14	Washer Bricka; Scheibe; Rondelle	1	29932	
15	Screw Skruv; Schraube; Vis	1	20345	
16	Pump cylinder Pumpcylinder; Pumpzylinder; Corps de pompe	1	137027	
17	Washer Bricka; Scheibe; Rondelle	1	153487	
18	Plug(Complete) Propp(Komplett); Pfropfen(Komplett); Bouchon(Comple)	1	153475	

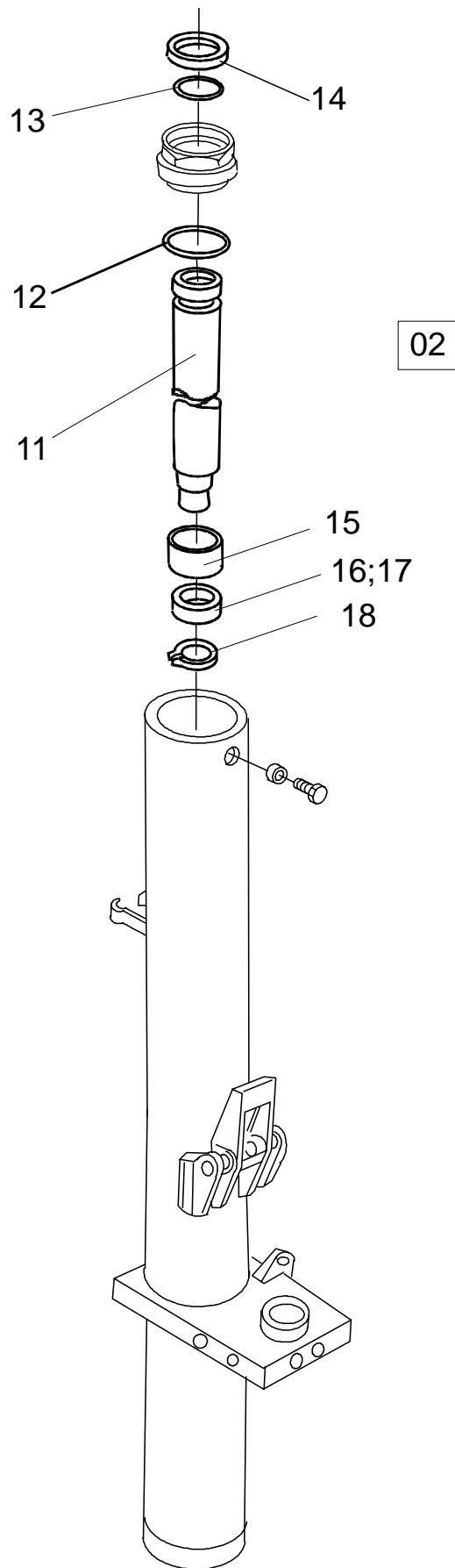


6410-007 Pump unit housing/tank

[1998-06-24]

Hydraulstomme/-tank; Hydraulikgehäuse/-tank; Carter/réservoir hydraulique

			245 HTH 10 E	464300 -
Pos	Description	Pcs	Part No	Note
11	Pump housing Pumphus; Pumpgehäuse; Cariste de pompe	1	141691	For width 560; 685mm Till bredd 560; 685mm; Für Breite 560; 685mm; Selument largeur de machine 560; 685mm
11	Pump housing Pumphus; Pumpgehäuse; Cariste de pompe	1	148951	For width 480;520mm Till bredd 480; 520mm; Für Breite 480; 520mm; Seulement largeur de machine 480; 520mm
12	Nut Mutter; Mutter; Ecrou	1	137045	
13	Nut(Complete) Mutter(Komplett); Mutter(Komplett); Ecrou(Complet)	1	137044	
14	Washer Bricka; Scheibe; Rondelle	1	29932	
15	Screw Skruv; Schraube; Vis	1	20345	
16	Pump cylinder Pumpcylinder; Pumpzylinder; Corps de pompe	1	137069	

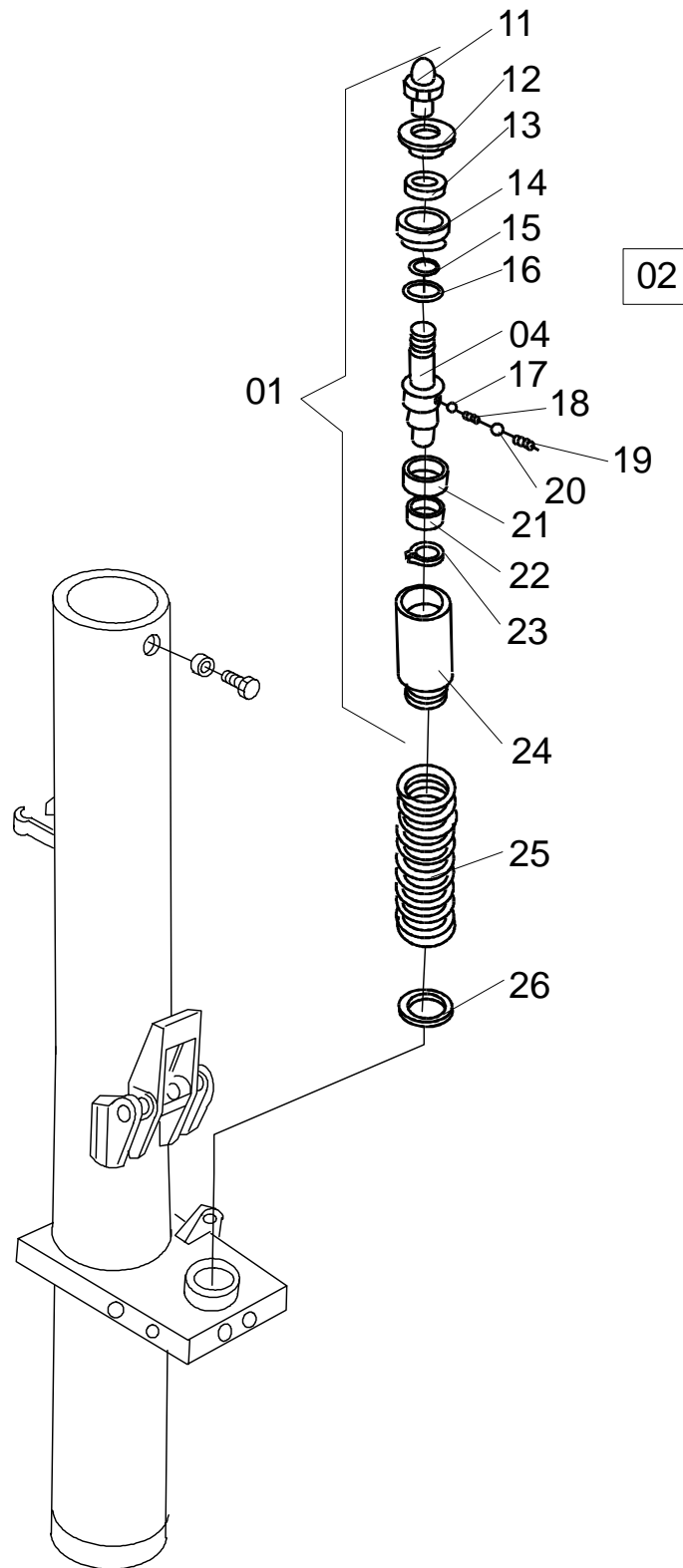


6420-006 Lift cylinder/piston

[1998-06-24]

Lyftcylinder/-kolv; Hubzylinder/-kolben; Vérin/piston de levage

Pos	Description	Pcs	Part No	Note
			244 HTH 10 M 245 HTH 10 E	464300 - 464300 -
02	Packing set(Lift cylinder) Packningssats(Lyftcylinder); Packungssatz(Hubzylinder); Jeux d'étanchéité.(Verin de levage)	1	139034	
11	Piston Kolv; Kolben; Piston	1	137025	
12	O-ring O-ring; O-ring; Joint torique	1	137048	
13	O-ring O-ring; O-ring; Joint torique	1	137046	
14	Sealing Tätning; Dichtung; Joint	1	137047	
15	Bush Bussning; Bague; Bague	1	137024	
16	Sealing Tätning; Dichtung; Joint	1	137015	
17	Ring Ring; Ring; Bague	1	137016	
18	Locking ring Spårring; Schliessring; Circlip	1	137009	

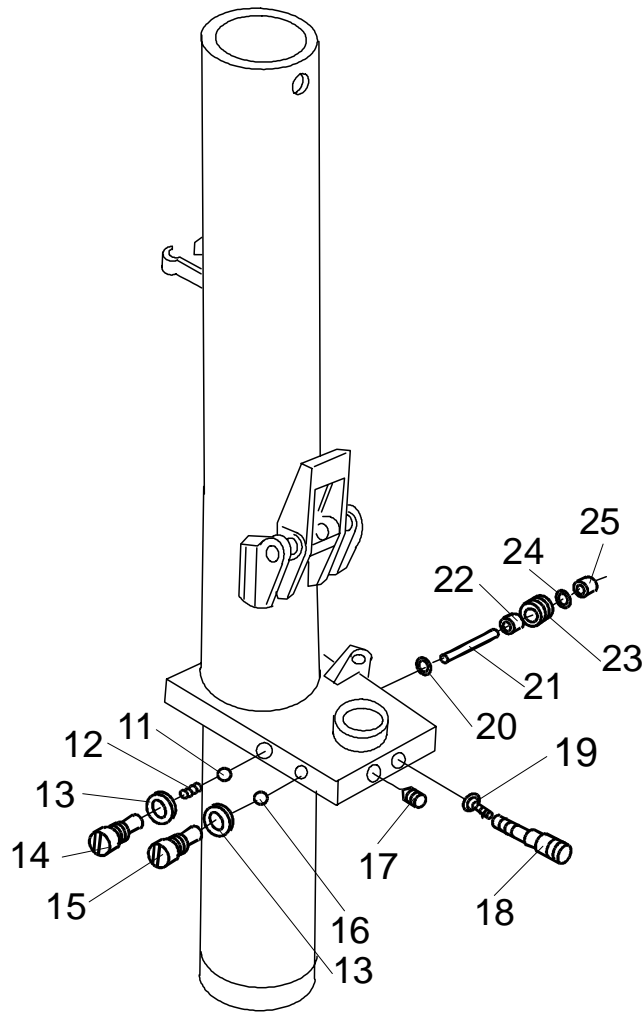


6440-006 Manual pump

[1998-06-24]

Manuell pump; Manuelle Pumpe; Pompe manuelle

			244 HTH 10 M	464300 -
Pos	Description	Pcs	Part No	Note
01	Pump cylinder(Complete) Pumpcylinder(Komplett); Pumpzylinder(Komplett); Corps de pompe(Comple)	1	166465	
04	Piston Kolv; Kolben; Piston	1	137028	
08	Packing set(Pump cylinder) Packningssats(Pumpcylinder); Packungssatz(Pumpzylinder); Jeux d' étanchéite.(Verin de pompe)	1	139032	
11	Nut Mutter; Mutter; Ecrou	1	164887	
12	Washer Bricka; Scheibe; Rondelle	1	137042	
13	Sealing Tätning; Dichtung; Joint	1	137033	
14	Nut Mutter; Mutter; Ecrou	1	137037	
15	O-ring O-ring; O-ring; Joint torique	1	137035	
16	O-ring O-ring; O-ring; Joint torique	1	137034	
17	Ball Kula; Kugel; Boule	1	137032	
18	Spring Fjäder; Feder; Ressort	1	137040	
19	Spring Fjäder; Feder; Ressort	1	137038	
20	Ball Kula; Kugel; Boule	1	166456	
21	Bush Bussning; Bague; Bague	1	137039	
22	Sealing ring Tätningring; Dichtungsring; Bague d'étanchéité	1	137036	
23	Locking ring Spärring; Schliessring; Circlip	1	137009	
24	Pump cylinder Pumpcylinder; Pumpzylinder; Corps de pompe	1	137027	
25	Spring Fjäder; Feder; Ressort	1	137011	
26	Ring Ring; Ring; Bague	1	137020	

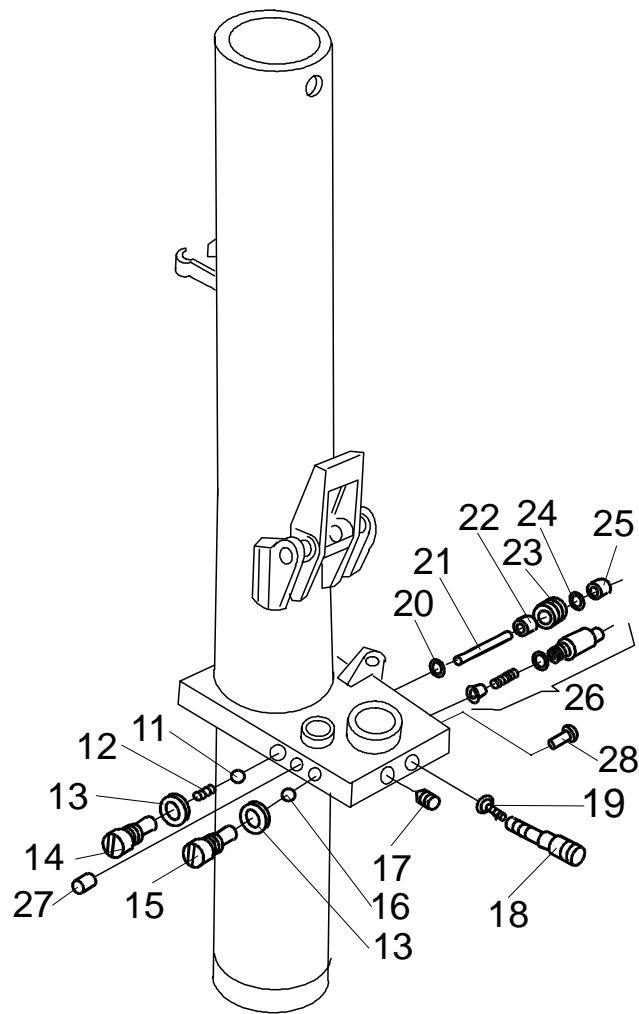


6460-007 Valve functions

[1998-06-24]

Ventilfunktioner; Ventilfunktionen; Fonctions de soupapes (valves)

			244 HTH 10 M	464300 -
Pos	Description	Pcs	Part No	Note
11	Ball Kula; Kugel; Boule	1	137014	
12	Spring Fjäder; Feder; Ressort	1	137010	
13	Ring Ring; Ring; Bague	2	148812	
14	Screw Skruv; Schraube; Vis	1	137004	
15	Screw Skruv; Schraube; Vis	1	148813	
16	Ball Kula; Kugel; Boule	1	153496	
17	Plug Plugg; Pfropf; Bouchon	1	137050	
18	Valve Ventil; Ventil; Soupape	1	141686	
19	Guide pin Styrtapp; Führungstift; Goupille de guidage	1	141688	
20	O-ring O-ring; O-ring; Joint torique	1	137023	
21	Axle Axel; Achse; Axe	1	137012	
22	U-ring Spärringsmanchett; Schliesringsmanchette; Joint en U	1	137017	
23	Screw Skruv; Schraube; Vis	1	137006	
24	Washer Bricka; Scheibe; Rondelle	1	137008	
25	Rubber bush Gummibussning; Gummibuchse; Baque caoutchouc	1	137022	



6460-008 Valve functions

[1998-06-24]

Ventilfunktioner; Ventilfunktionen; Fonctions de soupapes (valves)

			245 HTH 10 E	464300 -
Pos	Description	Pcs	Part No	Note
11	Ball Kula; Kugel; Boule	1	137014	
12	Spring Fjäder; Feder; Ressort	1	137010	
13	Ring Ring; Ring; Bague	2	148812	
14	Screw Skruv; Schraube; Vis	1	137004	
15	Screw Skruv; Schraube; Vis	1	148813	
16	Ball Kula; Kugel; Boule	1	153496	
17	Plug Plugg; Pfropf; Bouchon	1	137050	
18	Valve Ventil; Ventil; Soupape	1	141686	
19	Guide pin Styrtapp; Führungstift; Goupille de guidage	1	141688	
20	O-ring O-ring; O-ring; Joint torique	1	137023	
21	Axle Axel; Achse; Axe	1	137012	
22	U-ring Spärringsmanchett; Schliesringsmanchette; Joint en U	1	137017	
23	Screw Skruv; Schraube; Vis	1	137006	
24	Washer Bricka; Scheibe; Rondelle	1	137008	
25	Rubber bush Gummibussning; Gummibuchse; Baque caoutchouc	1	137022	
26	Relief valve Maxlastventil; Umgehungsventil; Soupape de retour	1	141690	
27	Plug Plugg; Pfropf; Bouchon	1	137050	
28	Nit Nit; Niet; Rivet	1	166435	